

**GEOMETRICAL TOLERANCES  
PART 2**

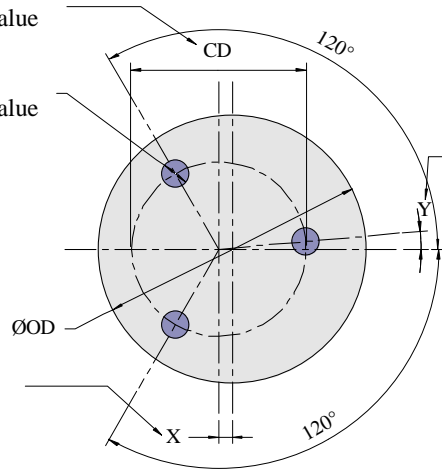
**TGT2**

**HOLE POSITION**

**Circle of inscription :**  
± 5% of nominal value

**ID tolerance :**  
± 7% of nominal value

**Eccentricity :**  
Max ± 5% of OD



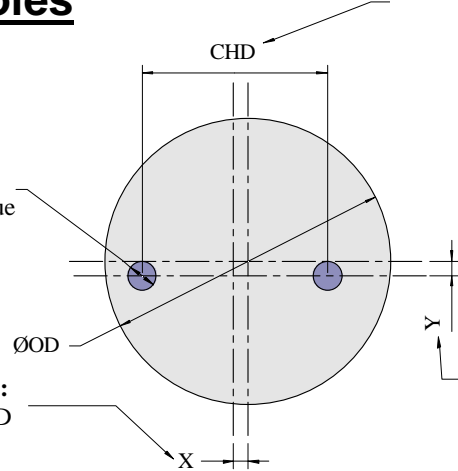
**Three Holes**

**Hole position deviation :**  
Max ± 3% of OD

**Two Holes**

**ID tolerance :**  
± 7% of nominal value

**X Eccentricity :**  
Max ± 5% of OD



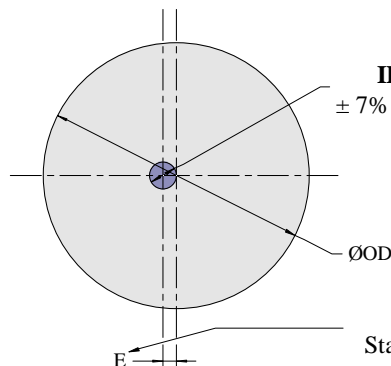
**Center Hole Distance tolerance :**  
± 5% of nominal value

**Y Eccentricity :**  
Max ± 3% of OD

**Central Hole**

**ID tolerance :**  
± 7% of nominal value

**E Eccentricity :**  
Standard : E/OD = 2.5%



**GEOMETRICAL TOLERANCES - PART 2**

non-contractual document

December 23, 2004

FIC 281 rev. : 2